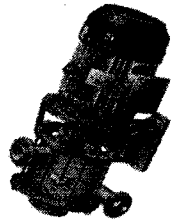


KESTNER

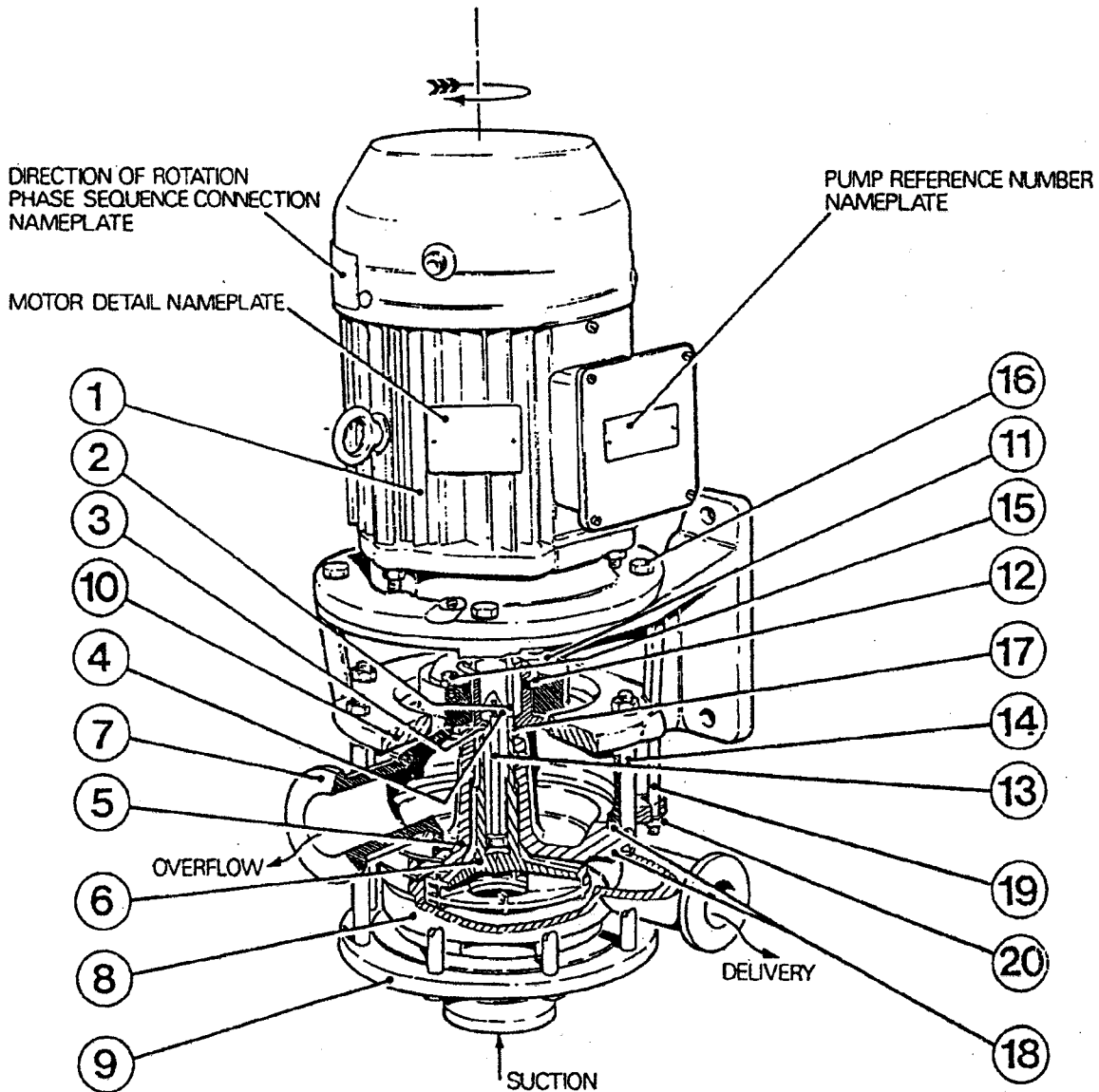
Chemical Pumps Limited



Bredgar Road
Gillingham
Kent
ME8 6PL
England

Telephone 01634 386683
Fax 01634 386684
Intl Tel +44 1634 386683
Intl Fax +44 1634 386684

e-mail: sales@kestner-eng.co.uk
Internet: www.kestner-eng.co.uk



- | | | | | | |
|---|--|---|---|---|--|
| ① | Electric Motor. End of shaft drilled and tapped M10 x 20 Deep. KW to suit application. | ⑦ | Upper Body. | ⑭ | Pump casing clamp bolts |
| ② | Motor shaft extension to suit motor frame size. | ⑧ | Lower Rotor Casing. | ⑮ | Vapour Seal Fixing Bolts. |
| ③ | Vaned Thrower. | ⑨ | Clamp ring. | ⑯ | Motor fixing bolts to suit motor frame size. |
| ④ | Shims to set position of motor shaft extension (see setting diagram). | ⑩ | Mounting Bracket machined to suit motor frame size. | ⑰ | PTFE Sealing Joint Ring. |
| ⑤ | Upper Rotor Casing. | ⑪ | Vapour Seal Cover Plate. | ⑱ | Pump Casing Gasket Material to suit application. |
| ⑥ | Impeller semi open or closed type depending on type of pump. (Use strap wrench see diagram). | ⑫ | Vapour Seal Packing Ring. | ⑲ | Upper Rotor clamping studs |
| | | ⑬ | Shaft Extension clamp bolt | ⑳ | Nylon Nuts for Item 19. |