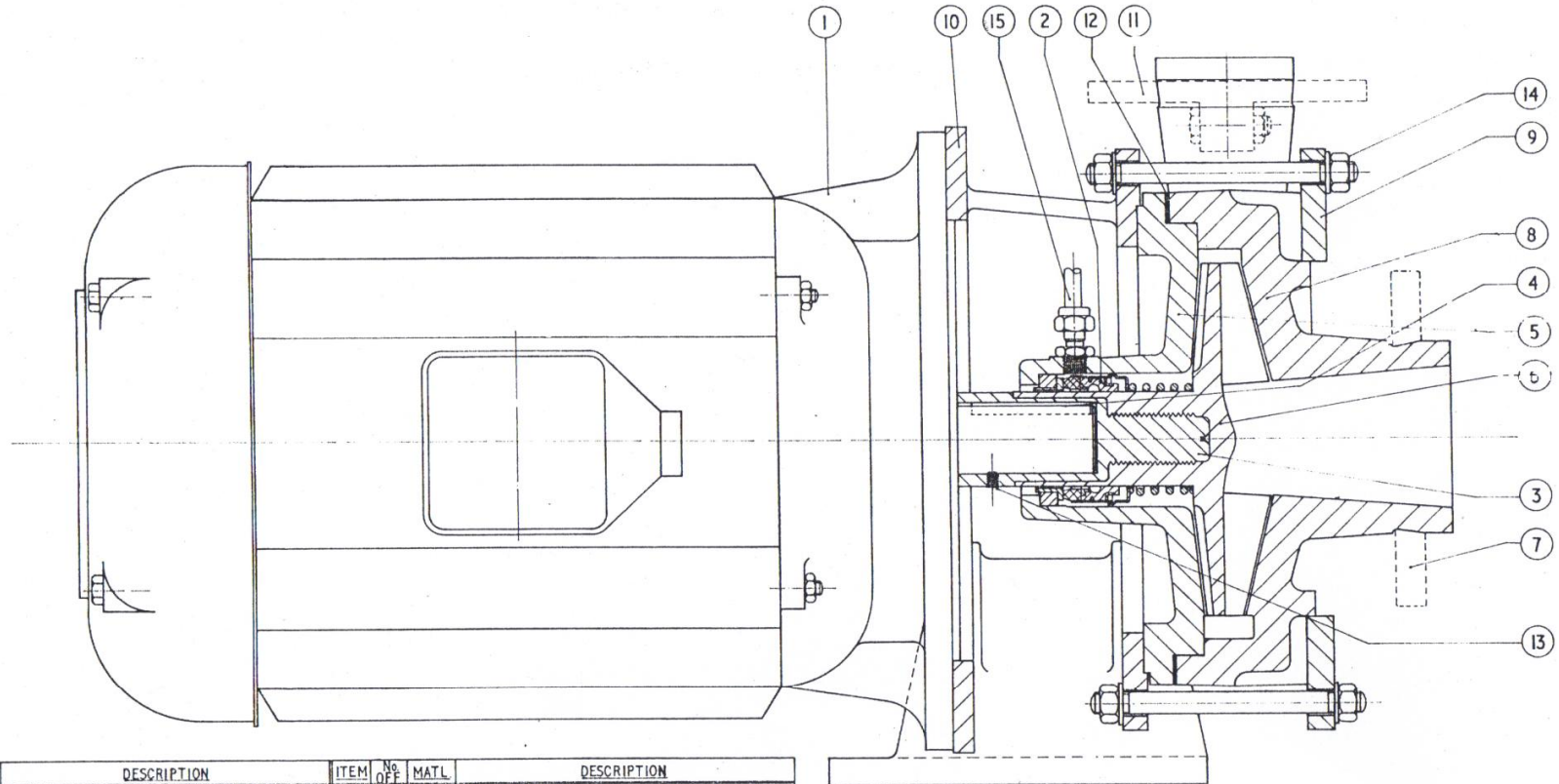


KESTNER CHEMICAL PUMPS LTD



TYPE MHC CENTRIFUGAL PUMP.

ITEM	No	MATL.	DESCRIPTION	ITEM	No	MATL.	DESCRIPTION
	OFF				OFF		
1	1		ELECTRIC MOTOR	14	8	STEEL	CLAMP BOLT C/W 2 NUTS & WASHERS PER
2	1		CRANE TYPE 1A MECH SEAL				BOLT
3	1	STEEL	ROTOR CENTRE	15			SEAL FLUSHING CONNECTION
4	1	STEEL	KEY				
5	1	K.B	BACKPLATE				
6	1	K.B.	ROTOR				
7	1	C.I.	SPLIT FLANGE (SUCTION)				
8	1	K.B.	VOLUTE CASING				
9	1	C.I.	CLAMP RING				
10	1	C.I.	MOUNTING BRACKET				
11	1	C.I.	SPLIT FLANGE (DELIVERY)				
12	1	RUBBER	JOINT RING				
13	1	STEEL	SET SCREW				